

ALCOVE SHOWER BASE

Product Features:

- Acrylic with fiberglass reinforcement
- Single threshold unit
- Textured bottom pattern
- Integral three-sided, double tiling edge with water retention flange
- Molded-in flood guard
- PVC shower drain with stainless steel drain plate

4242.ST ALCOVE SHOWER BASE

Nominal Dimensions: 1070 x 1070 x 168mm
(42-1/8" x 42-1/8" x 6-5/8")

3636.ST ALCOVE SHOWER BASE

Nominal Dimensions: 914 x 919 x 168mm
(36" x 36-3/16" x 6-5/8")

3232.ST ALCOVE SHOWER BASE

Nominal Dimensions: 813 x 813 x 168mm
(32" x 32" x 6-5/8") Does not meet IAPMO minimum inside square inch requirements of 1,024 square inches.

Compliance Certifications -

Meets or Exceeds the Following Specifications:

- ANSI Z124.2 for Plastic Showers
- ASTM E162 for Surface Flammability
- NFPA 258 for Smoke Density



To Be Specified - Required:

- Color: (specify color)

To Be Specified - Optional:

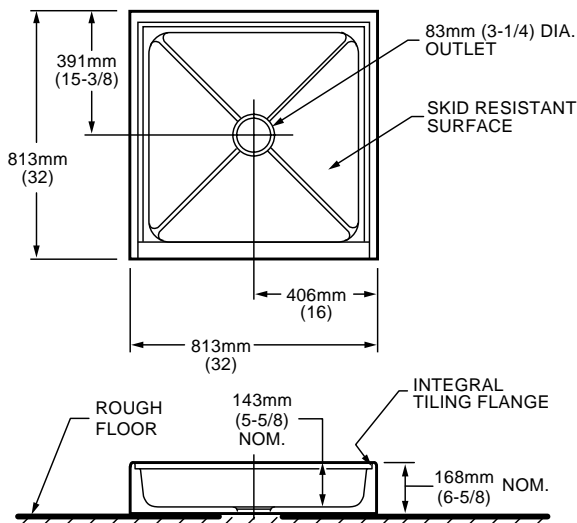
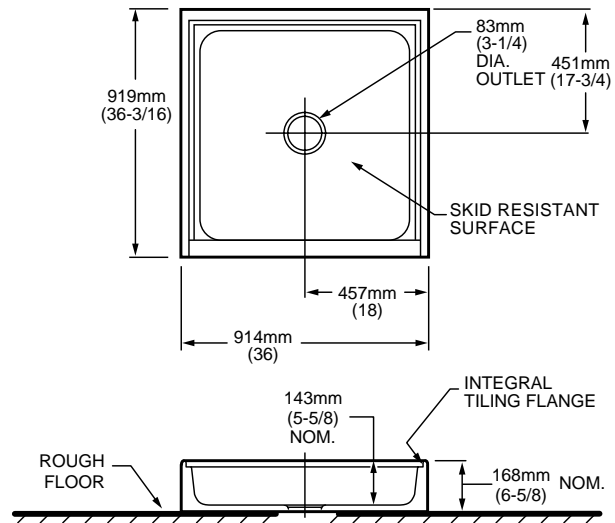
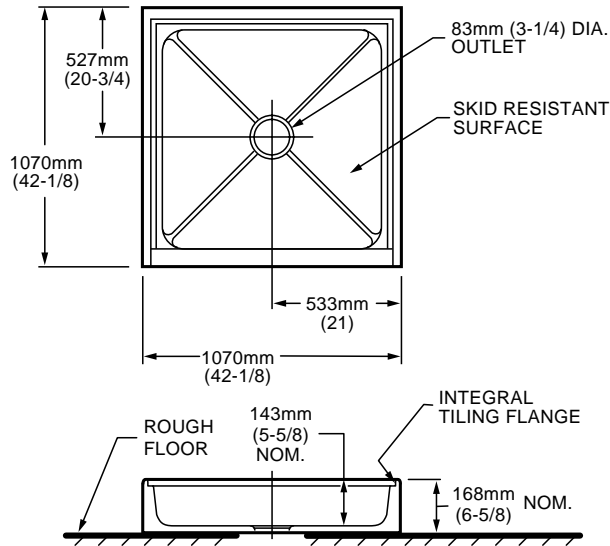
- Metal Drain Plate in Polished Brass or Satin (751819-099)
- Satin (751819-295)

See reverse side for roughing-in dimensions

NOTES: REFER TO INSTALLATION INSTRUCTIONS SUPPLIED WITH SHOWER BASE FOR ADDITIONAL INFORMATION.

IMPORTANT: Dimensions of fixtures are nominal and may vary within the range of tolerances established by ANSI Standard Z124.1 / CSA. These measurements are subject to change or cancellation.

No responsibility is assumed for use of superseded or voided pages.



GENERAL SPECIFICATIONS FOR 4242.ST SHOWER BASE

INSTALLED SIZE	1070mm X 1070mm X 168mm (42-1/8 X 42-1/8 X 6-5/8 IN.)
WEIGHT	43 Kg. (95 LBS.)
WEIGHT w/WATER	172 Kg. (382 LBS.)
SHOWER WELL AT SUMP	895mm X 895mm (34-5/8 X 34-5/8 IN.)
SHOWER WELL AT RIM	946mm X 965mm (37-1/4 X 38 IN.)
FLOOR LOADING	151 Kgs/Sq. m. (32 LBS./SQ. FT.) (PROJECTED AREA)

GENERAL SPECIFICATIONS FOR 3636.ST SHOWER BASE

INSTALLED SIZE	914 x 919 x 168mm (36" x 36-3/16" x 6-5/8")
WEIGHT	25 Kg. (56 LBS.)
WEIGHT w/WATER	87 Kg. (193 LBS.)
SHOWER WELL AT SUMP	749mm X 711mm (29-1/2 X 28 IN.)
SHOWER WELL AT RIM	826mm X 787mm (32-1/2 X 31 IN.)
FLOOR LOADING	104 Kgs/Sq. m. (21 LBS./SQ. FT.) (PROJECTED AREA)

GENERAL SPECIFICATIONS FOR 3232.ST SHOWER BASE

INSTALLED SIZE	813mm X 813mm X 168mm (32 X 32 X 6-5/8 IN.)
WEIGHT	21 Kg. (46 LBS.)
WEIGHT w/WATER	70 Kg. (154 LBS.)
SHOWER WELL AT SUMP	686mm X 648mm (27 X 25-1/2 IN.)
SHOWER WELL AT RIM	724mm X 686mm (28-1/2 X 27 IN.)
FLOOR LOADING	105 Kgs/Sq. m. (22 LBS./SQ. FT.) (PROJECTED AREA)